

**AVAILABLE MOUNTING CONFIGURATIONS**

8H-RP-F REDI-PRIME FRAME MOUNT  
8H-F FRAME MOUNT  
8H-RP-EM REDI-PRIME ENGINE MOUNT  
8H-EM ENGINE MOUNT  
8H-VF VERTICAL FRAME MOUNT  
8H-VC VERTICAL COUPLED

**OPERATING LEVELS**

|                 |          |                          |
|-----------------|----------|--------------------------|
| MIN FLOW        | 1250 GPM | 283.8 m <sup>3</sup> /h  |
| MAX FLOW        | 5500 GPM | 1248.5 m <sup>3</sup> /h |
| DISCHARGE SIZE  | 8"       | 203.2 mm                 |
| SUCTION SIZE    | 10"      | 254 mm                   |
| SOLIDS HANDLING | 1.25"    | 3.2 cm                   |
| MAX SPEED       | 2000 RPM | 2000 RPM                 |
| SHUT-OFF HEAD   | 308'     | 93.9 m                   |
| BEP HEAD        | 250'     | 76.2 m                   |
| BEP FLOW        | 4100 GPM | 930.7 m <sup>3</sup> /h  |
| BEP PERCENT     | 88%      | 88%                      |



A typical picture of the pump is shown. Please contact StarTech Pump Company for further details. All information is approximate and for general guidance only.

| PARTS                      | CAST IRON BRONZE FITTED (STANDARD)  | ALL IRON                            |
|----------------------------|-------------------------------------|-------------------------------------|
| IMPELLER                   | BRONZE SAE 40                       | CAST IRON ASTM A48 CL30             |
| VOLUTE                     | CAST IRON ASTM A48 CL30             | CAST IRON ASTM A48 CL30             |
| SHAFT                      | SAE 1144 "STRESSPROOF"              | SAE 1144 "STRESSPROOF"              |
| SHAFT SLEEVE               | BRONZE SAE 660                      | 416 STAINLESS STEEL                 |
| BEARING HOUSING            | CAST IRON ASTM A48 CL30             | CAST IRON ASTM A48 CL30             |
| WEAR RINGS                 | BRONZE SAE 660                      | CAST IRON ASTM A48 CL30             |
| SUCTION SPOOL              | CAST IRON ASTM A48 CL30             | CAST IRON ASTM A48 CL30             |
| BACKPLATE                  | CAST IRON ASTM A48 CL30             | CAST IRON ASTM A48 CL30             |
| MECHANICAL SEAL (OPTIONAL) | T-1, BUNA, CARBON/CERAMIC/STAINLESS | T-1, BUNA, CARBON/CERAMIC/STAINLESS |
| PACKING                    | GRAPHITED ACRYLIC                   | GRAPHITED ACRYLIC                   |

The 8H pump is designed with StarTech's renowned quality and durability. It features an 8" discharge, 10" suction, **enclosed impeller, and flanged tangential double volute. Available in all-iron or bronze-fitted materials. Graphited** acrylic packing is standard, with StarTech's patented Cycloseal® **available (with type 1 single mechanical seal).** Grease lubrication standard - oil lubrication optional.

- External hydraulic balance line
- Back pullout design
- Replaceable hub & suction wearings
- **Replaceable shaft sleeve**
- **High efficiency hydraulics**
- Low operating costs
- SAE #1, 2, 3, 4 & 5
- Modular bearing frame
- Oversized shaft and bearings
- Other mechanical seal (Cycloseal®) and material options available
- Two year warranty



AGRICULTURE



FOOD



INDUSTRIAL



MINING



MUNICIPAL



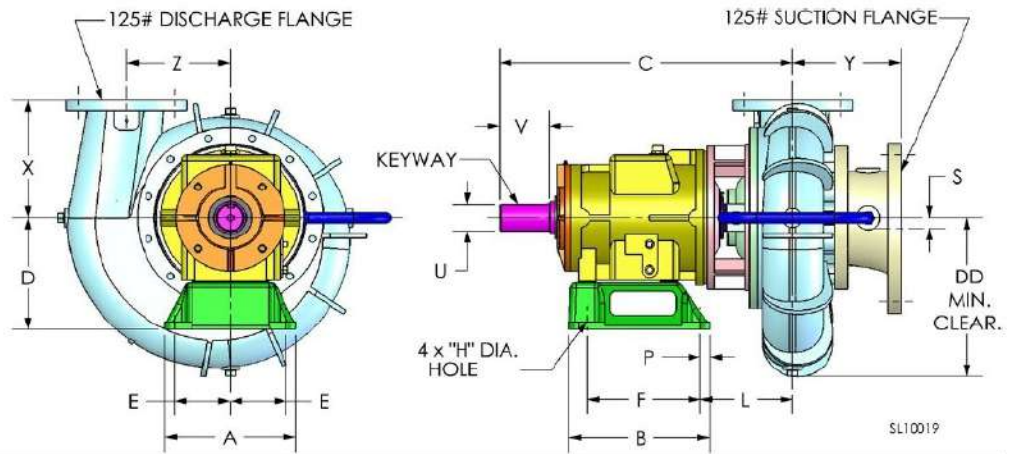
OIL & GAS



REFRIGERATION

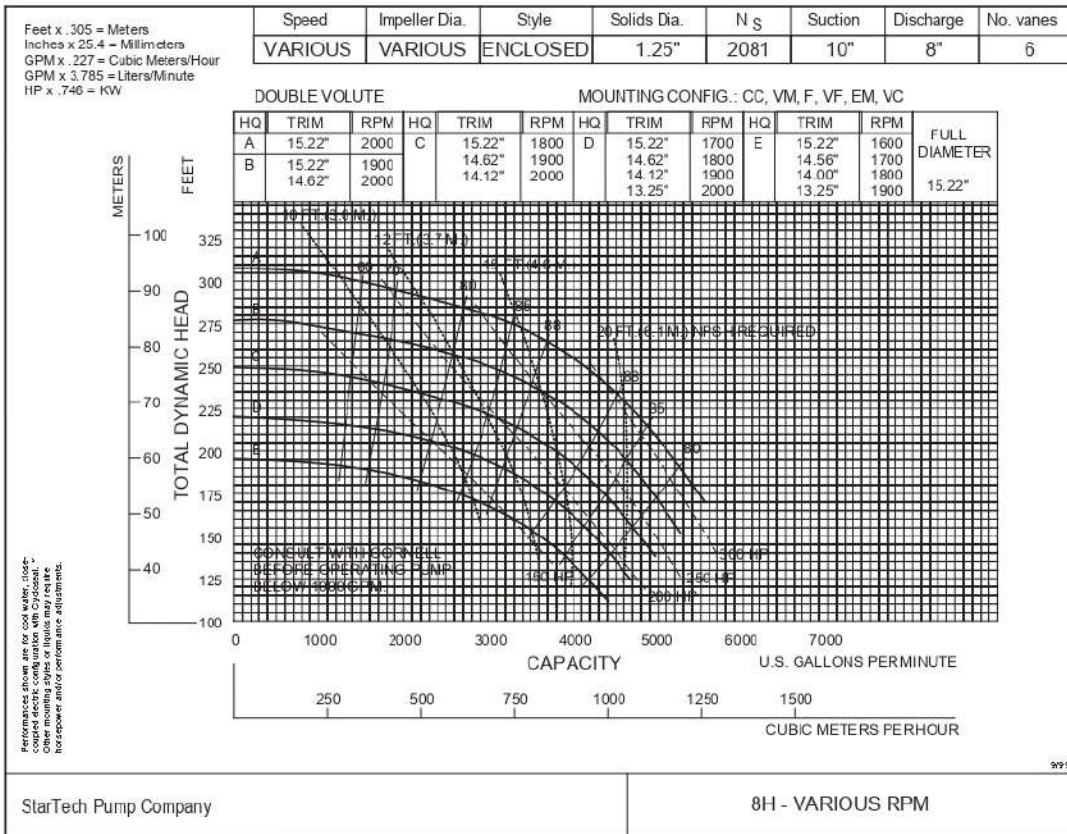


RENTAL



PUMP DIMENSIONS

| MODEL | FRAME | CONNECTION |       | DISCH. INCR. | A  | B     | C     | D    | DD    | E    | F     | H    | L     | P    | S    | U   | V   | X   | Y     | Z     | KEYWAY  |
|-------|-------|------------|-------|--------------|----|-------|-------|------|-------|------|-------|------|-------|------|------|-----|-----|-----|-------|-------|---------|
|       |       | DISCH.     | SUCT. |              |    |       |       |      |       |      |       |      |       |      |      |     |     |     |       |       |         |
| 3HA   | F18   | 3          | 6     | 90°          | 12 | 12.88 | 29.11 | 10.5 | 11.12 | 5.12 | 10.38 | 0.81 | 10.74 | 0.88 | 0.44 | 2.5 | 4.5 | 10  | 8.53  | 8.5   | .62X.31 |
| 3HC   | F18   | 3          | 6     | 90°          | 12 | 12.88 | 25.88 | 10.5 | 11.12 | 5.12 | 10.38 | 0.81 | 7.5   | 0.88 | 0.44 | 2.5 | 4.5 | 10  | 8.53  | 8.5   | .62X.31 |
| 4HC   | F18   | 4          | 8     | 90°          | 12 | 12.88 | 26.97 | 10.5 | 12.62 | 5.12 | 10.38 | 0.81 | 8.6   | 0.88 | 0.88 | 2.5 | 4.5 | 11  | 10.88 | 9.75  | .62X.31 |
| 4HH   | F18   | 4          | 6     | 90°          | 12 | 12.88 | 29.14 | 10.5 | 15    | 5.12 | 10.38 | 0.81 | 10.77 | 0.88 | 0.44 | 2.5 | 4.5 | 9.5 | 8.97  | 11.25 | .62X.31 |
| 5H    | F18   | 5          | 8     | 90°          | 12 | 12.88 | 29.17 | 10.5 | 14.75 | 5.12 | 10.38 | 0.81 | 10.8  | 0.88 | 0.88 | 2.5 | 4.5 | 13  | 9.66  | 11.62 | .62X.31 |
| 5HH   | F18   | 5          | 8     | 90°          | 12 | 12.88 | 29.84 | 10.5 | 16.25 | 5.12 | 10.38 | 0.81 | 11.47 | 0.88 | 0.44 | 2.5 | 4.5 | 11  | 10.56 | 10.25 | .62X.31 |
| 6H    | F18   | 6          | 8     | 90°          | 12 | 12.88 | 29.14 | 10.5 | 14.75 | 5.12 | 10.38 | 0.81 | 10.77 | 0.88 | 0.44 | 2.5 | 4.5 | 14  | 10.18 | 11.62 | .62X.31 |
| 6HH   | F18   | 6          | 8     | 90°          | 12 | 12.88 | 30.13 | 10.5 | 17.12 | 5.12 | 10.38 | 0.81 | 11.91 | 0.88 | 0.44 | 2.5 | 4.5 | 12  | 10.43 | 12    | .62X.31 |
| 8H    | F18   | 8          | 10    | 90°          | 12 | 12.88 | 30.41 | 10.5 | 16.75 | 5.12 | 10.38 | 0.81 | 12.03 | 0.88 | 0.75 | 2.5 | 4.5 | 13  | 10.41 | 11.5  | .62X.31 |



NEW PAGE

8H/A